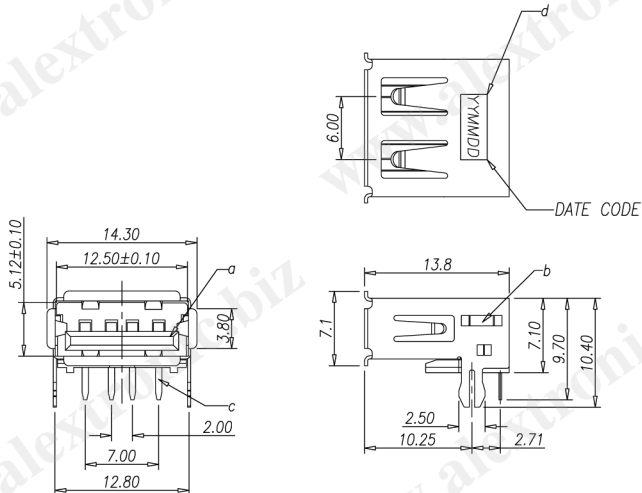


CATEGORY	DESCRIPTION	P/N #
CONNECTOR	USB type A Female, Right Angle, DIP type.	UB1041-11FXX-XX2Y

A03 料號由2UB141-F10XX-XX  
變更為UB1041-11FXX-XX2Y



Recommend PCB Layout  
(Jack TOP View)  
Tolerance: ±0.05mm  
Recommend PCB Thickness: 1.6mm

REV.	ECN NO	DESCRIPTION	REVISED	DATE
A2	ECN081027001	修改版本發行	XSY	2008.10.27
A03	ECN091014002	增加塑膠材質, 變更料號	Luguan	2009.10.14

Specifications:

- Rated Current: 1.5A
- Contact resistance: 30mΩ MAX.
- Insulation resistance: 1000MΩ MIN.
- Dielectric withstand: 500V AC for 1 minute
- Operating temperature: -55°C~+85°C
- Insert force: 35N MAX.
- Withdraw force: 10N MIN.

PART NO.:

UB1041-11FXX-XX2Y

See Color Scheme

X	Date Code
0	Without
1	With

Material & Plating

Table 1

X	Housing Material	Contact Plating
1	PBT UL94V-0	Au: 1u"
2	PBT UL94V-0	Au: 3u"
3	PBT UL94V-0	Au: 15u"
4	PBT UL94V-0	Au: 30u"
A	LCP UL94V-0/Black (Halogen free)	Au: 1u"

Color Scheme

XX	Housing
00	Black
01	White

Product Drawing  
ALEXTRONIC

UNLESS OTHERWISE SPECIFIED TOLERANCES	SCALE: 1/1	UNIT: mm	DWG. NO:
DECIMALS: X : ±0.5 X.X : ±0.3 X.XX : ±0.2	SIZE: A3	PAGE: 1 OF 1	REV: A03
ANGLES: X : ±2' X.X : ±1'	APPROVED BY	CHECKED BY	PREPARED BY
	WYX	Pengjie	Luguan
	CUSTOMER COPY		

NO.	PART NAME	Q'TY	MATERIAL	PLATING & COLOR	Remark
d	Ink	1	Domino IR-270BK & MC-270BK	Black	
c	Contact	4	Brass, T=0.25mm	See Table 1	
b	Shell	1	Brass, T=0.30mm	Ni Plating	
a	Housing	1	See Table 1	See Color Scheme	